

IP EYE-SIGHT SERIES

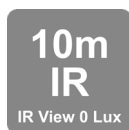
The new Eye-Sight series serves the security professionals who are seeking for a professional line featuring outstanding image quality, full connectivity and enhanced video analytics functions based on ARTIFICIAL INTELLIGENCE.



DMA-340IPE-28

10M IR 4MP FIXED LENS MINI DOME/TURRET ANTI VANDAL CAMERA

DMA-340IPE-28 camera is equipped with a 2.8mm fixed lens and a protective dome. With its 11 cm-diameter, this 2MP mini-dome camera is designed for short distance surveillance (up to 10m) in both indoor and outdoor scenarios. The vandal-proof IK10 protection makes it extremely hard to sabotage. The camera offers broad possibilities for Analytics, from Face Detection all the way to the outstanding DDA Analytics (Detect, Distinguish, Alert) which has the ability to perform object recognition and object counting. With a various of detection rules and triggers, DMA-340IPE-28 camera will help to put an end to false alarms.



MAIN FEATURES

- 4MP
- 2592×1520 Resolution
- Wide field of view 100°
- 3D-DNR
- IK10
- Mini Dome
- Audio in + Built in microphone

ANALYTICS

- General Analytics: Camera Tampering
- AI (Object Recognition): Humans, 2/4 wheels vehicles
DDA Sterile Area
DDA Line Crossing
DDA Object Counting
- AI (Face Detection): 10 Faces per frame



SPECIFICATIONS

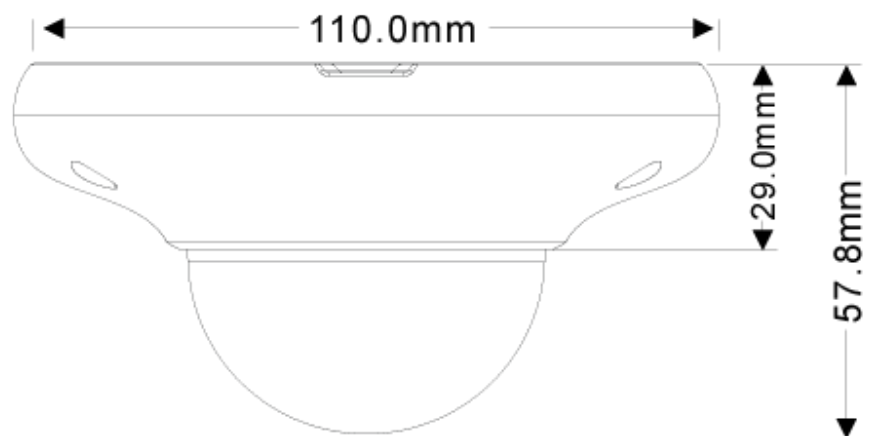
Image Sensor	1/3" CMOS (16:9)
Effective Pixels	2592X1520
Electronic Shutter	1/25s ~ 1/100000s
Frame Rate	1-25/30FPS
Day & Night	ICR
Min. Illumination	Day: 0.1lux / Night: 0.005lux (@F1.6, AGC On) 0lux with IR on
Audio compression	G.711A/G.711U
Communication	One-way Audio
Image Settings	AWB, AGC Adjustable, Exposure Mode (Auto) Sharpness, Saturation, Brightness & Contrast Adjustable
Image Enhancement	True WDR (120dB), BLC, HLC, ROI
Noise Reduction	3D-DNR
Image Orientation	Mirror/Flip
Privacy Zone	Yes
Motion Detection	Yes
Analytics	General Analytics: Camera Tampering AI (Object Recognition): DDA Sterile Area, DDA Line Crossing, DDA Object Counting AI (Face Detection): 10 Faces per frame
Video Compression	H.265S/H.264S*, H.265+/H.264+/H.265/H.264/MJPEG
Resolution	4MP / 2K / 3MP / 2MP / 1MP / D1 / QVGA / CIF
Multi-Stream	Master Stream: 4MP (2592x1520) / 2K(2560x1440) / 3MP (2304x1296) / 2MP / 1MP Sub-stream and Third Stream are correct Sub-Stream: 1MP/QVGA/D1/CIF Third Stream: QVGA/D1/CIF (1~30fps)
Bit rate	64Kbps ~ 4Mbps@H.265 / 64Kbps ~ 6Mbps@H.264
Encode Mode	VBR/CBR
Image Quality	Five levels under VBR; Free adjustment under CBR
IR Distance	10m (2 High Power IR LED)
Lens (Field of View)	2.8mm (100°)

*Main Stream Only

SPECIFICATIONS

Iris	Fixed Iris
Lens Mount	M12 mount
Protection Rate	Vandal Proof: IK10
Bracket	3-Axis Gimbal
Dimensions	Φ110mm×57.8mm
Weight (gross)	350g
Network	RJ45 (+PoE)
Power	DC Socket
Analog Video Output	No
Audio Connectivity	Built-In Microphone + Audio Input
SD Card	Event/Schedule based Main/Sub-Stream recording (Up to 128Gb)
Hard Reset Button	No
Alarm	No
Remote Monitoring	IE Browsing, CMS Software, Provision Cam2 Mobile App
User Access	Supports simultaneous monitoring for up to 4 users with multi-stream real time transmission
Network Protocol	TCP/IP, UDP, DHCP, NTP, RTSP, PPPoE, DDNS, SMTP, FTP, SNMP, 802.1X, Multicast, QoS
ONVIF	Yes
Ethernet	100Mbps
PoE	Yes
Power Supply	DC12V/~340mA / PoE/~4.7W
Work Environment	-30°C~50°C, 10%~90% Humidity
Junction Box	PR-WB-A - PR-B10BJB

DIMENSIONS



ACCESSORIES



PR-B10BJB



PR-WB-A